

FOOT SWITCH FS3

Features & Options:

- Pedals colour: Dark grey RAL 7016
- Bottom housing colour: Light grey RAL 7035
- Protection class: IPX6 (or IPX6 washable for beds model only)
- Number of functions: 1 or 2 functions
- Cable: Straight 1000 mm and 2000 mm, coiled 600 mm
- Button type: Easy touch tactile switches
- Design: Ergonomic design in the butterfly shape
- Mounting: Floor model or mounted on the side of the bed frame

Usage:

- Usage temperature: +5° C to +40° C
- Storage temperature: -10° C to +50° C
- Relative humidity: 20% to 80% at +30°C
- Atmospheric pressure: 700 to 1060 hPa
- Compatibility: LA27CS, LA43IC, LA44IC, analogue control boxes and OpenBus™ control boxes
- Approvals: IEC60601-1:2005 3rd edition, ANSI / AAMI ES60601-1:2005 3rd edition and CAN / CSA-22.2 No 60601-1:2008



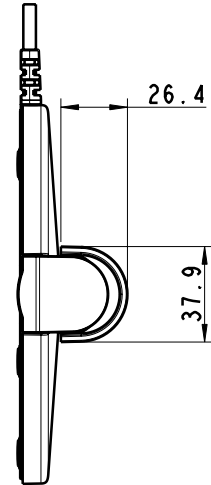
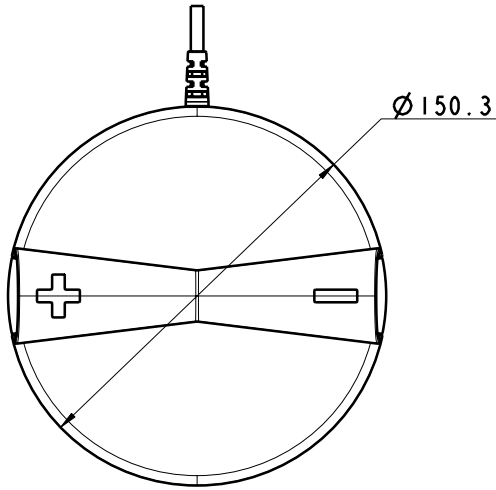
MEDLINE[®]
IMPROVING EFFICIENCY
CARELINE[®]
IMPROVING EFFICIENCY

The Foot Switch FS3 is an ergonomically designed modular system, developed for use together with LINAK control boxes and IC actuators with Intelligent Control. The LINAK[®] Foot Switch is designed for easy and improved control of e.g. hospital beds and couches and has been developed in cooperation with end users. The Foot Switch is therefore very user- and cleaning-friendly and has an aesthetic design.

The FS3 is a robust foot control, and is available both as a single and double version as well as a floor and bed model. When mounting the double version on a bed, the Foot Switch will be placed on each side of the bed frame to enable easy operation from both sides. It is also possible to have the double floor version for medical applications, e.g. couches, in order to achieve the opportunity to control different motions of the application. The FS3 is furthermore available in an analogue version and a digital OpenBus™ version.

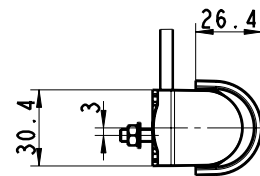
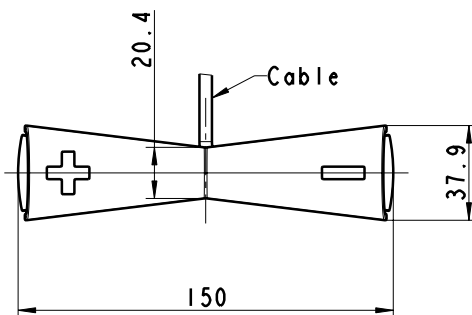
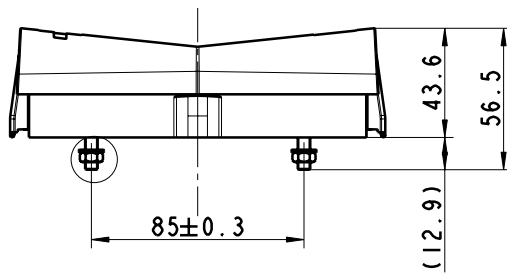
Dimensions drawings:

Dimension for 1 channel floor model



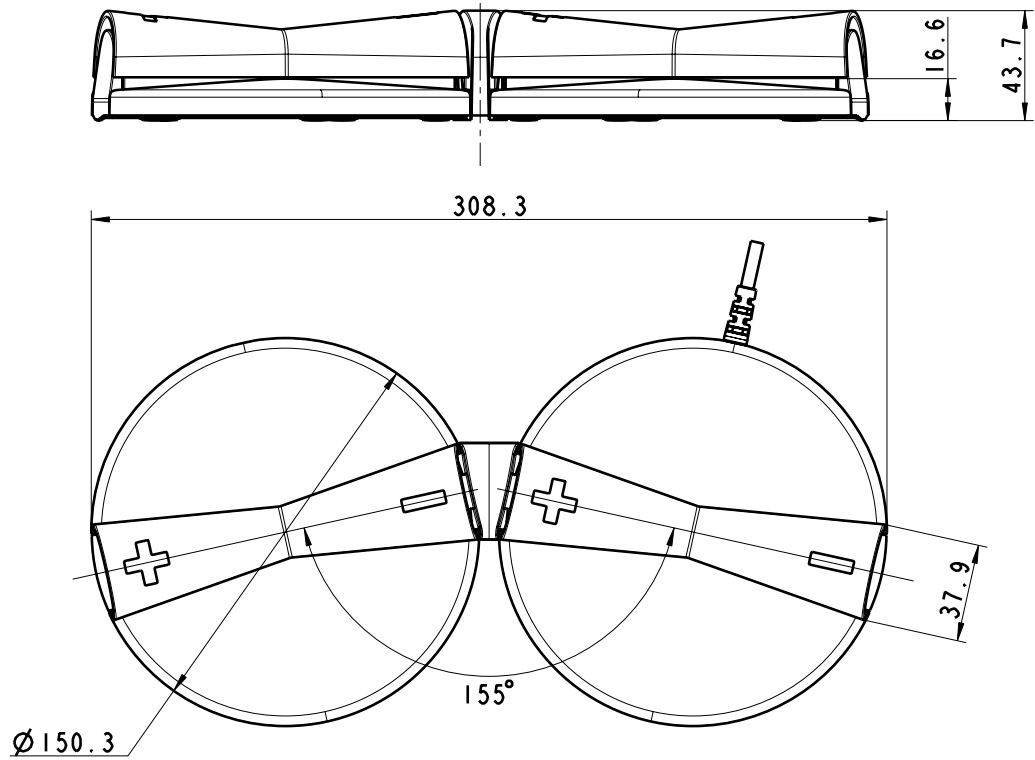
Possible cable dimension and plug type see page 6.

Dimension for 1 channel bed model



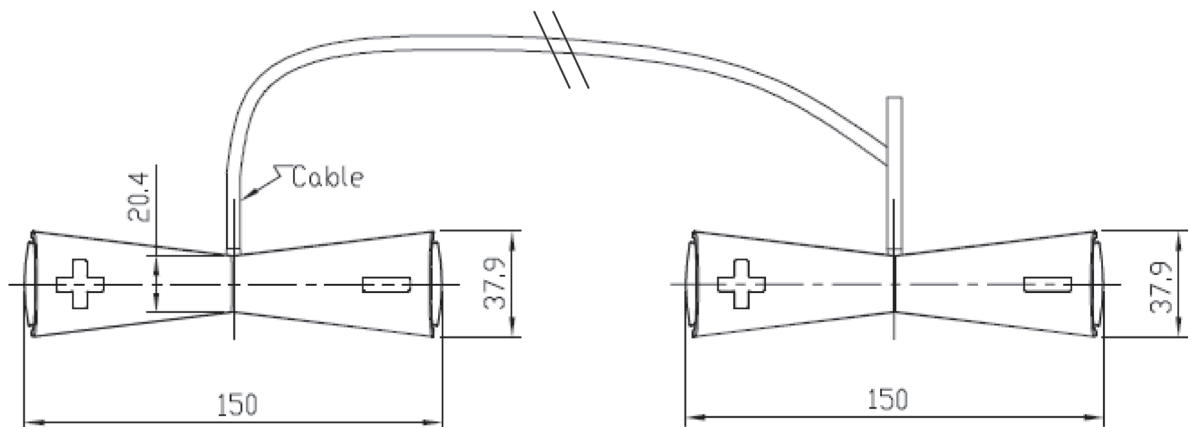
Possible cable dimension and plug type see page 6.

Dimension for 2 channel floor model



Possible cable dimension and plug type see page 6.

Dimension for 2 channel beds model with cable (analogue and OpenBus versions)



Possible cable dimension and plug type see page 6.

Functionality

Functionality overview analogue:

Code nos.	Left pedal		Single/Right pedal	
	+	-	+	-
FS3X051	N/A	N/A	1UP	1DW
FS3X052	N/A	N/A	2UP	2DW
FS3X053	N/A	N/A	3UP	3DW
FS3X054	N/A	N/A	4UP	4DW
FS3X012	1UP	1DW	2UP	2DW
FS3X013	1UP	1DW	3UP	3DW
FS3X014	1UP	1DW	4UP	4DW
FS3X021	2UP	2DW	1UP	1DW
FS3X023	2UP	2DW	3UP	3DW
FS3X024	2UP	2DW	4UP	4DW
FS3X031	3UP	3DW	1UP	1DW
FS3X032	3UP	3DW	2UP	2DW
FS3X034	3UP	3DW	4UP	4DW
FS3X041	4UP	4DW	1UP	1DW
FS3X042	4UP	4DW	2UP	2DW
FS3X043	4UP	4DW	3UP	3DW
FS3X011	1UP	1DW	1UP	1DW
FS3X022	2UP	2DW	2UP	2DW
FS3X033	3UP	3DW	3UP	3DW
FS3X044	4UP	4DW	4UP	4DW

Functionality overview OpenBus™

Code nos.	Single/Left pedal		Right pedal	
	+	-	+	-
FS3XVS0	N/A	N/A	H0	H1
FS3XVS1	N/A	N/A	H10	H11
FS3XVS2	N/A	N/A	H20	H21
FS3XV00	H0	H1	H2	H3
FS3XV11	H10	H11	H12	H13
FS3XV22	H20	H21	H22	H23
FS3XV01	H0	H1	H0	H1
FS3XV10	H10	H11	H10	H11
FS3XV20	H20	H21	H20	H21

Functionality overview LA43 IC and LA44 IC (Special article only)

Code nos.	Single/Left pedal		Right pedal	
	+	-	+	-
FS3001-00	1 UP	1 DW	N/A	N/A

Functionality overview LA27CS (Special article only)

Code nos.	Single/Left pedal		Right pedal	
	+	-	+	-
FS3002-00	1 UP	1 DW	N/A	N/A
FS3003-00	2 UP	2 DW	1 UP	1 DW

Combination possibilities

	FS3 Floor version 1 ch		FS3 Floor version 2 ch		FS3 Bed version 1 ch		FS3 Bed version 2 ch	
	Analogue	OpenBus	Analogue	OpenBus	Analogue	OpenBus	Analogue	OpenBus
CB	CB6, CB8, CB9, CB12, CB140	CB6S, CB16, CB20	CB6, CB8, CB9, CB12, CB140	CB6S, CB16, CB20	CB6, CB8, CB9, CB12, CB140	CB6S, CB16, CB20	CB6, CB8, CB9, CB12, CB140	CB6S, CB16, CB20
Cable type	Cable straight 2000	Cable straight 1000, 2000 cable coiled 600	Cable straight 2000	Cable straight 1000, 2000 cable coiled 600	Cable straight 2000	Cable straight 1000, 2000	Cable straight 2000, interconnection 1400	Cable straight 2000, interconnection 1400
Plug type	RJ45 (only CB6), DIN plug	RJ45 OpenBus	RJ45 (only CB6), DIN plug	RJ45 OpenBus	RJ45 (only CB6), DIN plug	RJ45 OpenBus	RJ45 (only CB6), DIN plug	RJ45 OpenBus
43 IC, 44 IC	<u>Plug type:</u> RJ45 Special <u>Cable:</u> straight 2000	<u>Plug type:</u> RJ45 OpenBus <u>Cable:</u> straight 2000		<u>Plug type:</u> RJ45 OpenBus <u>Cable:</u> straight 2000				
CBJH					<u>Plug type:</u> RJ45 <u>Cable:</u> straight 2000			
CBJ1, CBJ2, CBJC					<u>Plug type:</u> DIN plug <u>Cable:</u> straight 2000			
CBJC					<u>Plug type:</u> DIN plug <u>Cable:</u> straight 2000			

Terms of use

The user is responsible for determining the suitability of LINAK products for specific application. LINAK takes great care in providing accurate and up-to-date information on its products. However, due to continuous development in order to improve its products, LINAK products are subject to frequent modifications and changes without prior notice. Therefore, LINAK cannot guarantee the correct and actual status of said information on its products. While LINAK uses its best efforts to fulfil orders, LINAK cannot, for the same reasons as mentioned above, guarantee the availability of any particular product. Therefore, LINAK reserves the right to discontinue the sale of any product displayed on its website or listed in its catalogues or other written material drawn up by LINAK. All sales are subject to the Standard Terms of Sale and Delivery for LINAK. For a copy hereof, please contact LINAK.