

CONTROL BOX CB9 CARELINE® BASIC

Features:

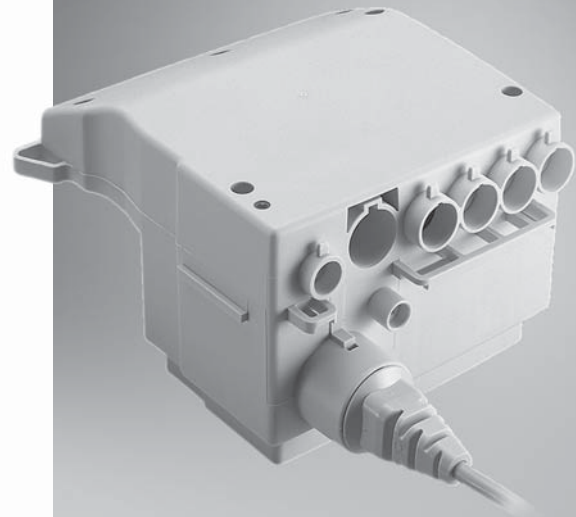
- Connection of max. 4 actuators, type LA31 and LA34 via 4-pole DIN sockets
- Extremely compact design
- Mains voltage: 230 V AC 50-60 Hz
- Output voltage 24V DC
- Protection class: IPX4 or X6 (not for wash tunnels)
- Colour: Grey or black
- DIN-socket for handsets HB40, HB70, DP or FS
- 3.2 m fixed straight mains cable
- EOP = Electronic Overload Protection *
 - AJ type CH1+2 (3.4A) and CH3+4 (7.0A) via common current cut-off
- Locking mechanism for DIN plugs and mains cable
- Electronic protection of the relays for extended lifetime, EAS (simple EAS).
- Double power control (FET + relay) monitoring on all AJ and AK types.
- Class 1 or 2 protection
- External battery backup and internal charger; use notation A when ordering
- External battery backup (no internal charger); use notation B when ordering
- External battery backup (and internal charger); use notation C when ordering
- All functionalities are compatible with mains cut-off
- All functionalities short cut protection 15A

* Electronic Overload Protection

AJ: Means separate current measurement on CH1+2 and CH3+4. The current will be cut off when the total current on CH1+2 reaches approx. 3.4A and when total current on CH3+4 reaches approx. 7.0A.

AK: Means a common current measurement on all channels. The current will be cut off when the total current on all channels reaches approx. 7.0A.

Example of EOP: CH1 = 3A, CH2 = 4A = 7.0A in total.



The CARELINE® Basic CB9 has been developed for use together with LA31 and LA34 in the Care & Rehab industry.

CB9 and LA31 can be fully integrated thus saving mounting and wiring or they can be installed separately.

Exchangeable mains cables, Electronic Overload Protection (EOP) and earth connection (Class 1) mains fuse makes CB9 a good choice for simple hospital and care beds.

The CARELINE® Basic CB9 series is only available as an analogue (Ax) type.

Consult the ordering example for a detailed description of the article number.

Options (have to be stated separately):

- Can be mounted on the LA31
- 100V type can be ordered as a special article, 120V type, please refer to CB9 Careline

Usage:

- Duty cycle: Max. 10% or 2 min. continuous use followed by 18 min. not in use.
- Ambient temperature: +5° to +40°C
- Compatible with up to 4 actuators, type LA31 and LA34 via 4-pole DIN sockets
- Medically approved according to EN 60601-1/UL 60601-1



LA34 fast motor is not compatible with any standard versions of CB9, due to high current consumption. For use of LA34 standard motor and small motor always use a CB9 with EAS.

Additionally, actuators with reed switch may not be connected to AD or AE types because of a conflict between the CB-signal wires and the reed wires !

Various information:

- It is possible to order blind plugs for CB9 CARELINE IPX6.

Order number:

	Bag of 100 pcs.	Singles
Grey:	00931082	00931143
Black:	00931081	00931142

O-rings are not needed for these rubber plugs.

- It is also possible to order blind plugs for the external battery box outlet (for BA1800)

Order number:

	Singles
Grey:	00918035
Black:	00918034
O-rings:	0007018

- When ordering a CB with mains cable the O-ring and locking ring are automatically included (to maintain the IP degree). When ordering a mains cable you only need to specify if the O-ring and / or locking ring are required.

Order number:

O-ring:	0007029
Locking ring:	00912007

CB9 CARELINE® BASIC

Ordering example:

CB9 2 6 0 AD 4 + 0 0 0 1A

Mains cable:

CARELINE Basic, LINAK connector, with earth:

	Black	Grey
1A = Straight, EU, angled mains-plug-end and straight CB-end	0015183	0015184
1B = Coiled, EU, angled mains-plug-end and straight CB-end	0015191	0015198
1D = Straight, UK, angled mains-plug-end and straight CB-end	0015275	
1F = Straight, USA, straight mains-plug-end and straight CB-end	0015195	
1G = Straight, CH, straight mains-plug-end and straight CB-end	0015242	
1H = Straight, Aus, straight mains-plug-end and straight CB-end	0015241	
1J = Without cable		

CARELINE Basic, non-detachable, without earth:

	Black	Grey
20 = Straight, EU, straight mains-plug-end and straight CB-end	0015262	0015295
21 = Straight, CH, straight mains-plug-end and straight CB-end		0015542
23 = Straight, UK, angled mains-plug-end and straight CB-end		0015504
24 = Straight, Japan, straight mains-plug-end and straight CB-end		0015502
25 = Straight, USA, straight mains-plug-end and straight CB-end		0015503
27 = Straight, Aus, straight mains-plug-end and straight CB-end		0015505

CARELINE Basic, mains cut-off, non-detachable, without earth:

	Black	Grey
F0 = Straight, EU	00WP039C00-00	

CARELINE, mains cut-off, non-detachable, without earth:

	Black	Grey
FA = Straight, EU	00WP039C00-0A	

Mains voltage: 0 = CB9 trafo 230V

Fuse cover: 0 = No

Battery: 0 = No battery
 A = Connection for external 24V battery and internal charger (not with mains cut-off)
 B = Connection for external 24V battery (no internal charger)

Colour: + = Grey
 - = Black

Channels: 1 - 4

Functionality: Without microprocessor (analog)

	Current cut-off	EAS
AJ	3.4A on ch1 & 2 and 7.0A on ch3 & 4	X
AK	7.0A on all channels	X

Not used 0

Protection class: 4 = IPX4
 6 = IPX6

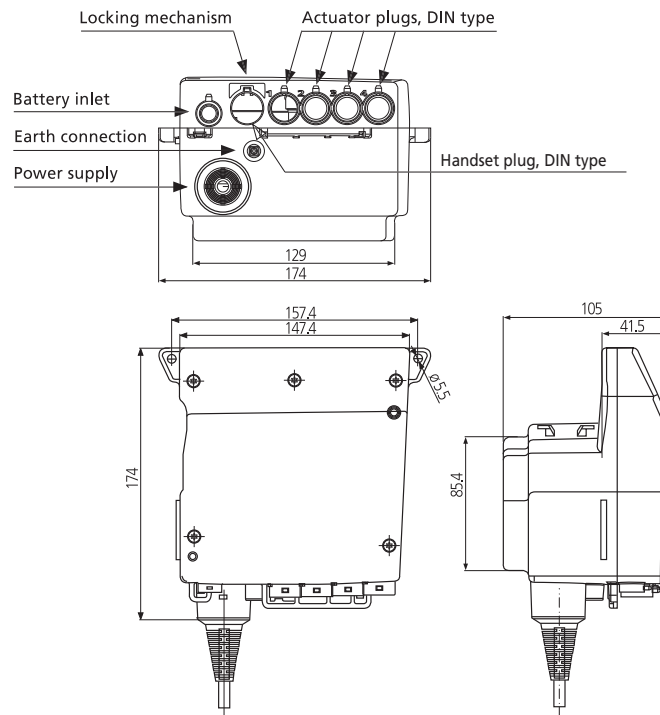
Plastic housing: 2 = CARELINE Basic wo/mains-indicator

Type: CB9



State separately if CB9 and LA31 must be mounted together.

CARELINE® BASIC CB9



BA1800 - External battery box

Ordering example:

BA18 0 0 - 0200 - 0 0 0

- 0 = Not used
- 0 = Not used
- Cable type: 0 = Standard
1 = CB7 (Only IPX1, 700 mm)
- = Not used
- Cabel length: From 200 mm to 1300 mm with steps of 50 mm
- = Not used
- IP Protection: 0 = IPX1
1 = IPX5
2 = IPX6
- Colour: 0 = Black
1 = Grey
- Type: BA18



An external charging device is not available as a standard article.

Terms of use

The user is responsible for determining the suitability of LINAK products for specific application. LINAK takes great care in providing accurate and up-to-date information on its products. However, due to continuous development in order to improve its products, LINAK products are subject to frequent modifications and changes without prior notice. Therefore, LINAK cannot guarantee the correct and actual status of said information on its products. While LINAK uses its best efforts to fulfil orders, LINAK cannot, for the same reasons as mentioned above, guarantee the availability of any particular product. Therefore, LINAK reserves the right to discontinue the sale of any product displayed on its website or listed in its catalogues or other written material drawn up by LINAK. All sales are subject to the Standard Terms of Sale and Delivery for LINAK. For a copy hereof, please contact LINAK.