

# CONTROL BOX CB6

## Features:

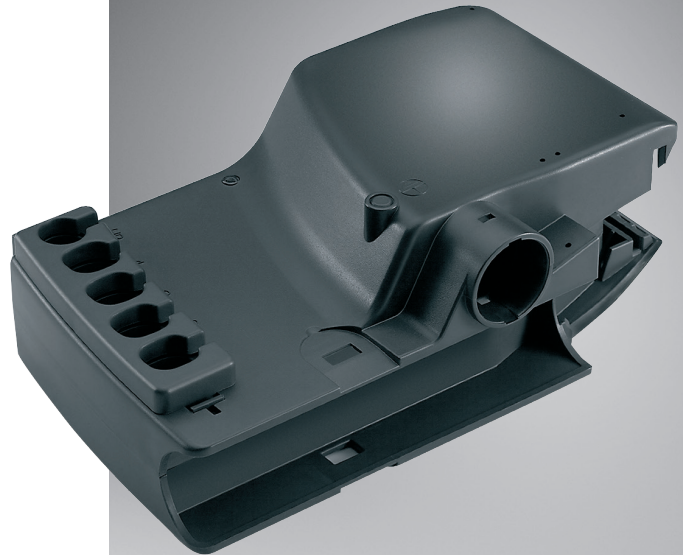
- Connection of max. 4 actuators (only LA27)
- Extremely compact design
- Mains voltage: 100 / 120 / 230V AC 50-60 Hz
- Standby consumption: 7W
- Duty cycle: 2/18; 2 minutes continuous use followed by 18 minutes not in use
- Output voltage: 24V DC
- Ambient temperature: + 10°C to + 40°C
- Protection Class: IPX4, IPX6
- Colour: Dark grey (RAL 7016)
- Modular socket for handsets HB30 / HB70 / HL70 and HB80 / HL80
- 3.2 m straight mains cable
- Locking mechanism for cables
- Class 2 protection

## Options:

- Can be mounted on the LA27 by using the special mounting clip article no. 009271002-A

## Options:

- Duty cycle: 2/18; 2 minutes continuous use followed by 18 minutes not in use
- CB6 is approved according to EN60601-1 / UL60601-1
- The CB6 can only be combined with LA27 and HB30 / HB70 / HL70 / HB80 and HL80



The control box CB6 has been specially developed for use together with LA27 in the care and rehab industry.

The control box is designed to be mounted on the actuator LA27 as with the CB9 and the LA31 system. The control box CB6 has a LED power ON indicator, detachable mains cable and strain relief for all cables.

The control box CB6 communicates with the LA27 by means of the built-in end stop signal switches in the actuator. Due to the signal switches the power to the motor will be cut off in the control box and not in the actuator. This ensures that it is only possible to run in the opposite direction once the actuator has reached the end position.

## CB6

### Ordering example:

CB6	4	0	4	+	1	0	0	1	9	
										<b>Cable connection:</b>
										9 = Cable socket without GND (Class 2)
										<b>Power Connector:</b>
										1 = Power connector
										<b>Voltage input:</b>
										0 = 230 V
										1 = 120 V
										2 = 100 V
										<b>To be defined:</b>
										<b>Connector:</b>
										1 = Mini-fit/Modular jack
										0 = Modular plug (spare parts only)
										<b>Colour:</b>
										+ = Plastics RAL 7016 (dark grey)
										<b>Number of channels:</b>
										1 = ch1
										2 = ch3, 4
										3 = ch1, 3, 4*
										4 = ch1-4*
										<b>PCB type:</b>
										0 = Std.
										8 = Std. with 24V charger for BA18 via CH1 or CH2 with T-cable (T-cable = 0964033-xxxx).
										BA18 not protected against BA18 being deep-drained
										<b>Protection class:</b>
										4 = IPX4
										6 = IPX6
										<b>Type:</b>
										Control box CB6

### Various information:

- A special clip used when mounting onto the LA27 is supplied with the CB6. It can also be ordered separately quoting article no. 009271002-A (as a spare part).
- It is possible to order blind plugs (500 pr. bag) for the actuator connections. Article no.009271027.

### Channel explanation:

For PCB type "0

When actuator X reaches the end-stop, then actuator Y can also be affected.		
CB Type (number of channels)	Actuator X (channel in use)	Actuator(s) Y (influence on other actuators)
1	1	-
2	3 4	no influence no influence
3	1 3 4	3, 4 (also stop) no influence no influence
4	1 2 3 4	2, 3, 4 (also stop) 1, 3, 4 (also stop) no influence no influence

\* PCB type 8 no influence on end-stop (Individual)

### How to read the table:

The 4 type (CB6404 + 10019) has 4 channels.

If the actuators in either **channel 1 or 2** reach an end stop position and stop, then all other actuators will stop at the same time.

If actuators running in **channels 3 or 4** reach the end stop position it will not influence any of the other actuators.

Example with CB6403 + 10019:

a) If channels 1 and 3 run together and channel 3 reaches the end stop then the actuator in channel 1 will continue running.

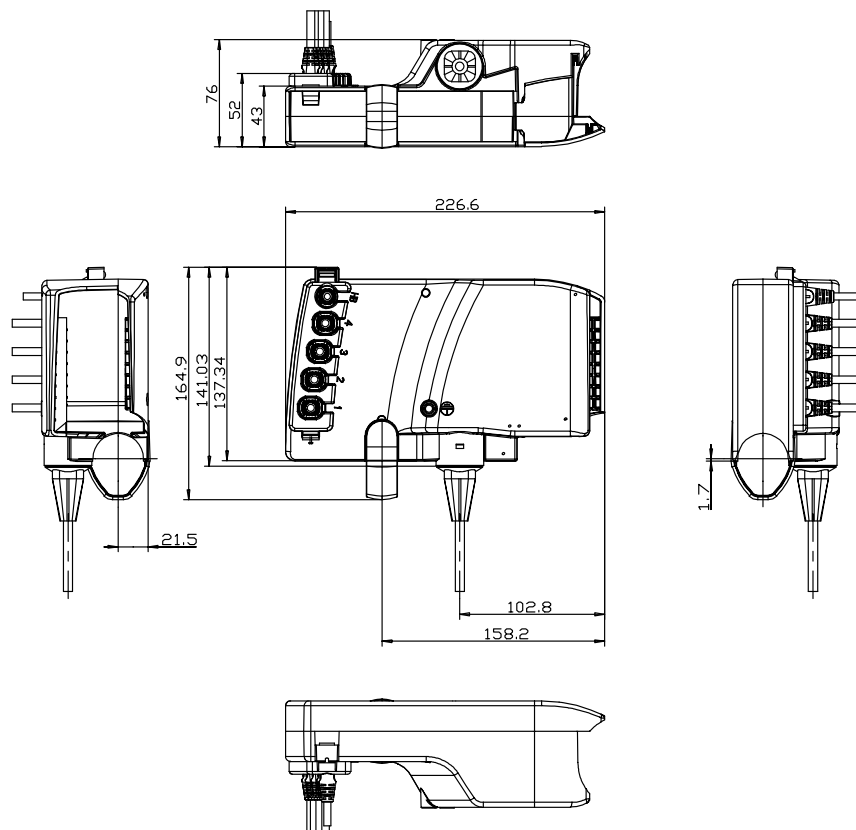
b) If channels 1 and 3 run together and channel 1 reaches the end stop, then the actuator in channel 3 will also stop.

When channel 1 has stopped it is possible to start up channel 3 again (if it is not in end stop ).

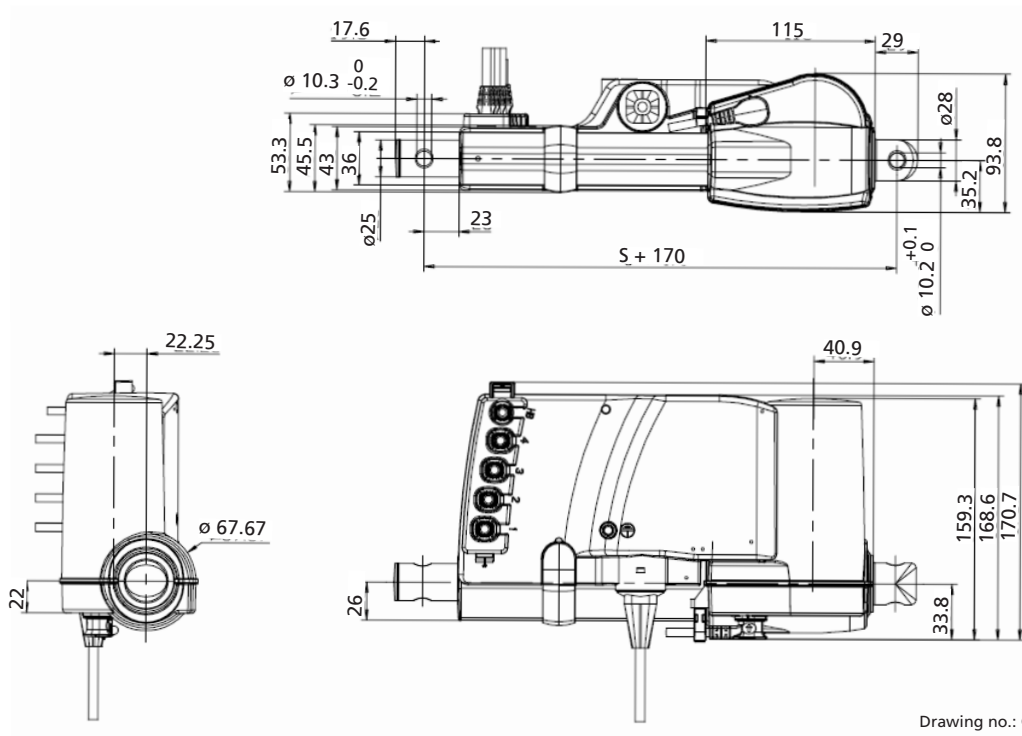
### Note:

For CB6 the current will be cut off when the total current on all channels reaches approx. 5.1 to 5.4 Amp. This means that when two LA27's running simultaneously are connected to a CB6 they will not be able to lift the max. load mentioned under technical specifications (LA27).

### Dimensions:

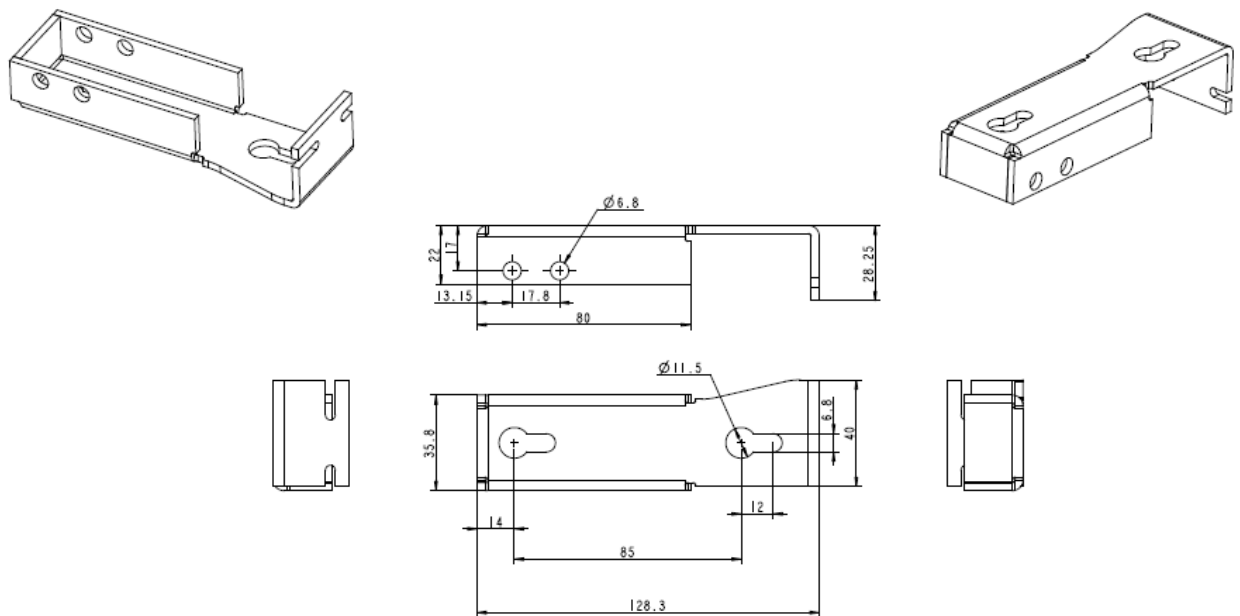


**Dimensions LA27 with CB6:**



**Mounting of CB6 - article no. 9271233 + 9271237:**

Apart from LA27, it is not possible to mount CB6 onto LINAK actuators. In such case you need a CB6 mounting bracket which can be welded or likewise to the application. This bracket is shown below:



**Terms of use**

The user is responsible for determining the suitability of LINAK products for specific application. LINAK takes great care in providing accurate and up-to-date information on its products. However, due to continuous development in order to improve its products, LINAK products are subject to frequent modifications and changes without prior notice. Therefore, LINAK cannot guarantee the correct and actual status of said information on its products. While LINAK uses its best efforts to fulfil orders, LINAK cannot, for the same reasons as mentioned above, guarantee the availability of any particular product. Therefore, LINAK reserves the right to discontinue the sale of any product displayed on its website or listed in its catalogues or other written material drawn up by LINAK. All sales are subject to the Standard Terms of Sale and Delivery for LINAK. For a copy hereof, please contact LINAK.