

CONTROL BOX CB6 OBMe

Features and Options:

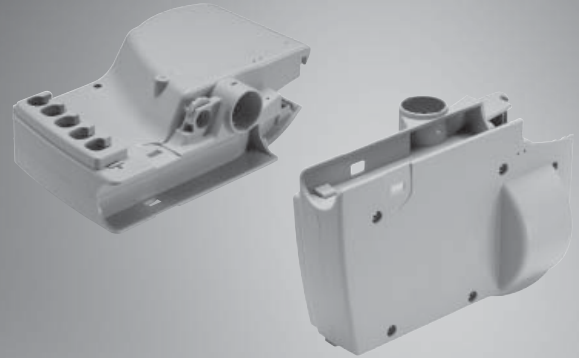
- *Main voltage: Universal; 100-240VAC 50/60Hz*
- *Power supply: Transformer toroidal (CB14/18 toroidal; +35%): 230VAC 50/60Hz, 120VAC 60Hz SMPS: 270W SMPS, 100-240V 50/60Hz*
- *Standby current consumption, SMPS: Approx. 0.8W (230V)*
- *Standby current consumption, transformer: Approx. 2.5W (230V)*
- *Channels: 4*
- *Colour: Light grey (RAL7035)*
- *DCG: Duty Cycle Guard*
- *Weight: Transformer version = 1700 g SMPS version = 850 g*
- *Speed: High speed, depending on software configuration for SMPS*
- *Battery charger: Yes*
- *Charging indicator: Supported*
- *Battery alarm: Yes, at low battery level (19V)*
- *Housing type: V-0*
- *IP rating: IPX6*
- *Operation: Fully parallel (feedback possible)*
- *Max. Current, total: 8 A*
- *Accessories: OpenBus™ accessories*
- *Software: No predefined software. Software must be specified by the customer.*
- *Speed control: Not as standard. Possible for special SW (common for all channels).*
- *Start/stop: Soft start/direct stop*
- *Service monitor: Yes*

Usage:

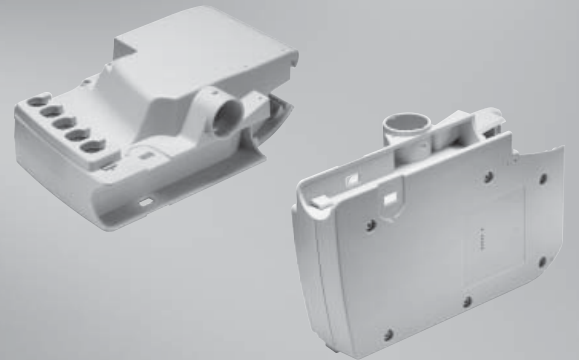
- *Approvals: EN60601-1 3rd edition*
- *Compatibility: LA27 (No feedback/encoded feedback), LA31, LA31 HALL, LA34, LA34 HALL, LA44, LA44 HALL, BL1, BL1 HALL*
- *Duty cycle: 10% -2 min / 18 min*



Transformer version



SMPS version



The CB6 OBMe is a powerful control box with switch mode power supply typically used for applications like hospital beds, couches/tables for treatment and examination and other medical applications. The universal input voltage makes the control box adaptable to the world-wide market irrespective of the input voltage.

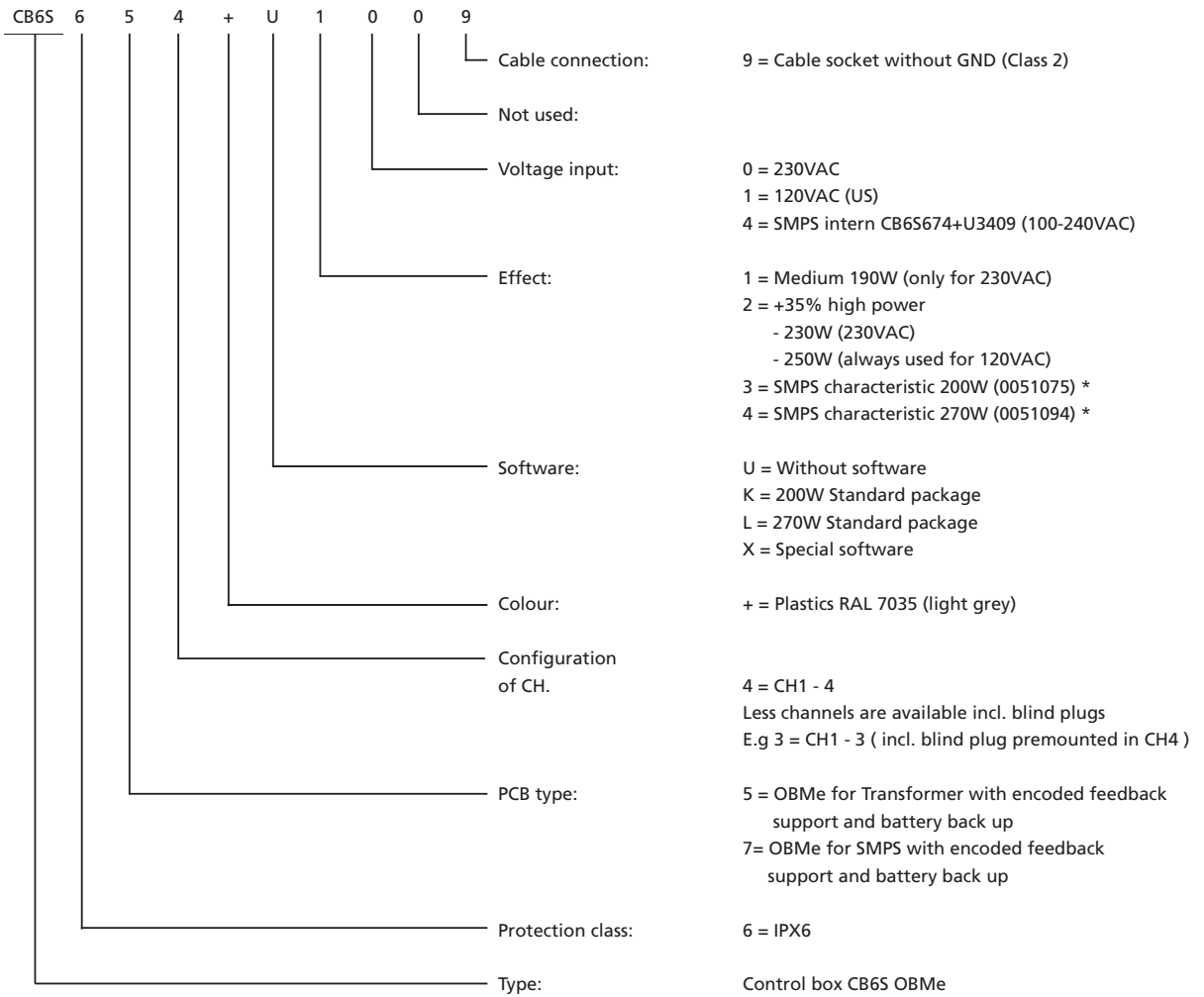
Easy trouble shooting and the possibility for read-out of lifetime actuator information and battery state on a laptop via Service Data Tool.

With the CB6 OBMe you get more benefits such as:

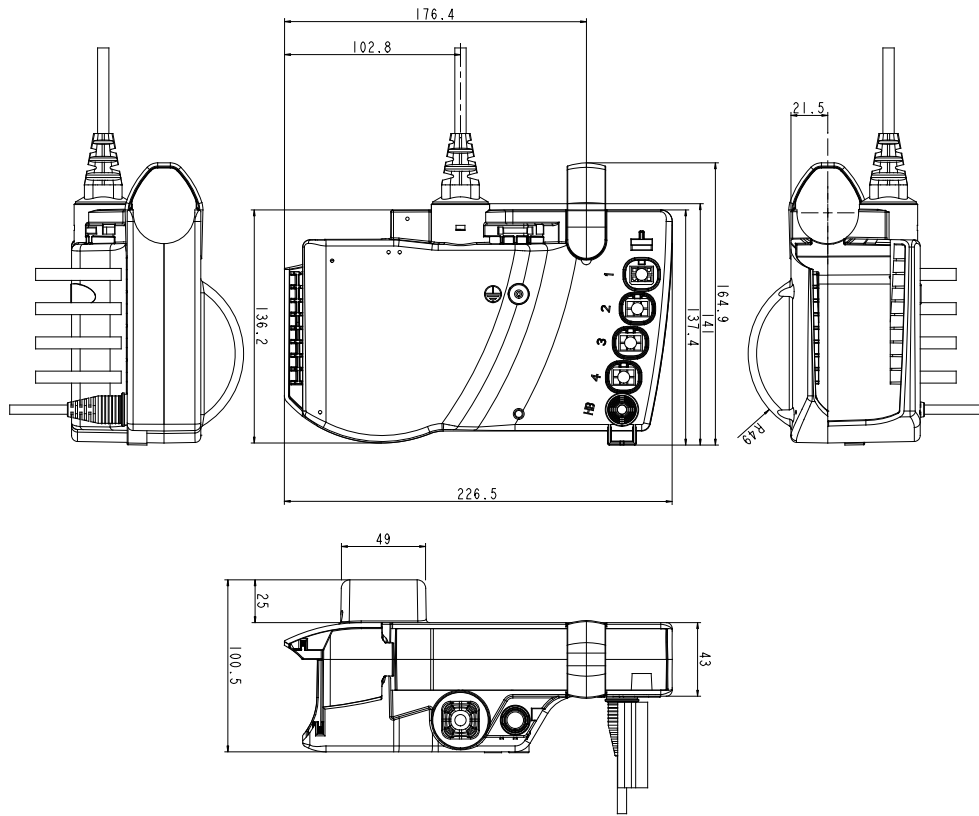
- Universal input voltage of 100-240 VAC
- 270W powerful SMPS enabling maximum use of actuator capacity
- Exchangeable mains cables for world-wide compatibility
- Easy documentation of service visits with service data tool
- SMPS saves weight

CB6 OBMe

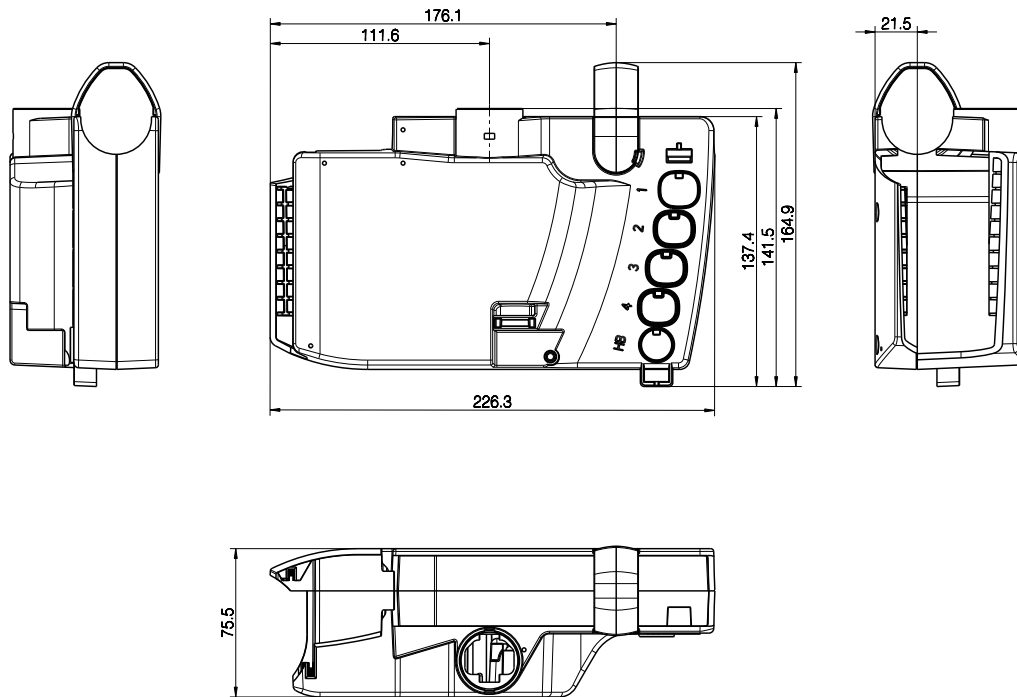
Ordering example:



Dimensions with transformer



Dimensions SMPS version

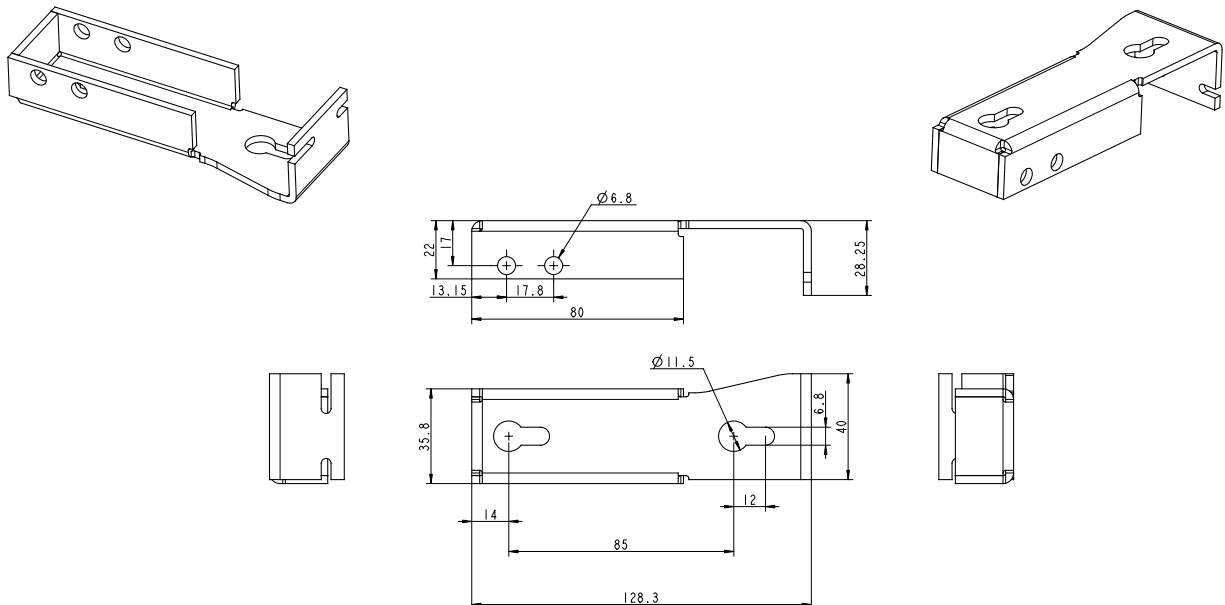


Mounting of CB6 OBMe – article no. 9271233 + 9271237

Apart from LA27, it is not possible to mount CB6 OBMe onto LINAK actuators.

In such case you need a CB6 mounting bracket which can be welded or likewise to the application.

This bracket is shown below:



Terms of use

The user is responsible for determining the suitability of LINAK products for specific application. LINAK takes great care in providing accurate and up-to-date information on its products. However, due to continuous development in order to improve its products, LINAK products are subject to frequent modifications and changes without prior notice. Therefore, LINAK cannot guarantee the correct and actual status of said information on its products. While LINAK uses its best efforts to fulfil orders, LINAK cannot, for the same reasons as mentioned above, guarantee the availability of any particular product. Therefore, LINAK reserves the right to discontinue the sale of any product displayed on its website or listed in its catalogues or other written material drawn up by LINAK. All sales are subject to the Standard Terms of Sale and Delivery for LINAK. For a copy hereof, please contact LINAK.